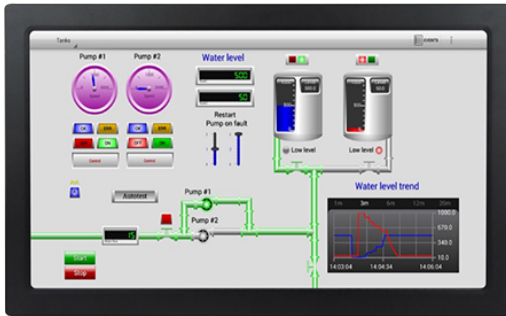




ARP-2221AP

21.5 inch Panel Mount Fanless Panel PC with i7 CPU



Features

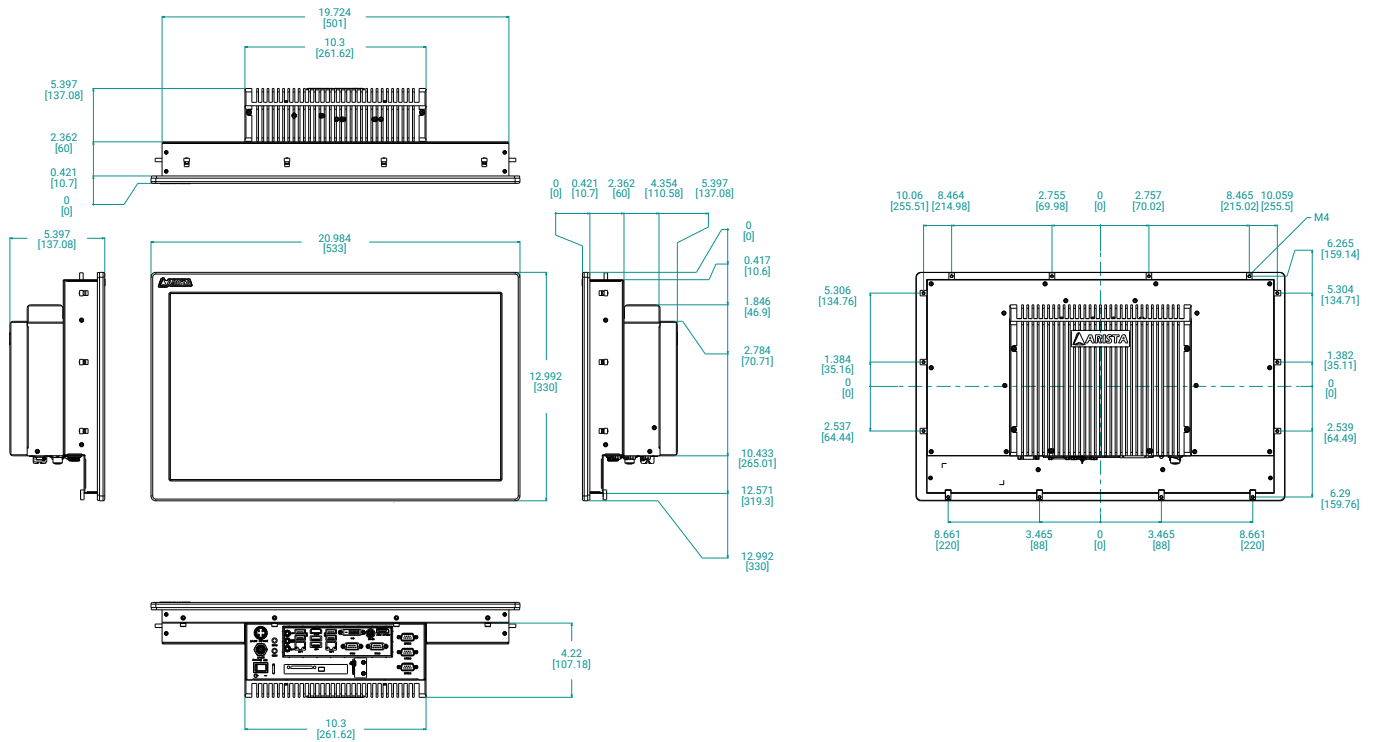
- 21.5" Active Matrix TFT LCD Display
- Resolution at 1920 x 1080
- Black Powder Coated or Stainless-Steel Bezel
- 5-Wire Resistive Touch or Tempered Glass
- Intel i7-3612QM / i7-6700T CPU
- Up to 8GB DDR3 / 16GB DDR3 / 32GB DDR4
- Dual Gigabit LAN
- Up To 2 x Removable 2.5" SATA SSD
- 1 x PCIe x16

Specifications

Model Name	ARP-2221AP	
	G01	H01
LCD Display		
Display Size (Diagonal)	21.5 inch	21.5 inch
Resolution	1920 x 1080	1920 x 1080
Backlight Lifetime (Hours)	50,000	50,000
Visual Characteristics		
Colors	16.7 million	16.7 million
Aspect Ratio	16:9	16:9
Viewing Angle (V/H)	178° / 178°	178° / 178°
Contrast Ratio	1000 : 1	1000 : 1
Brightness	250 nits	250 nits
Touch Screen		
Technology	5 Wire Resistive	5 Wire Resistive
Interface	USB	USB
Driver	XP, Win7, Win10	Win10
Front Bezel		
NEMA 4	Black Powder Coated	Black Powder Coated
NEMA 4x	Stainless Steel (Optional)	Stainless Steel (Optional)
Rack Mount Bezel	N/A	N/A
System		
CPU	Intel i7-3612QM	Intel i7-6700T
Chipset	Intel QM77	Intel Skylake
Memory	Up to 16GB DDR3	Up to 32GB DDR4
Video Controller	Intel HD Graphics 4000	Intel® Gen9 Intel Graphics
External Video Output	DVI / HDMI / Display Port	DVI / HDMI / Display Port
Storage Option	2 x 2.5" SATA SSD	2 x 2.5" SATA SSD
CFast	N/A	N/A
Keyboard / Mouse	1 x PS / 2 connector	1 x PS / 2 connector
Audio	Line in, Line Out, Mic-In	Line in, Line Out, Mic-In
Watchdog Timer	Programmable 1 - 255 sec	Programmable 1 - 255 sec
Remote Boot	PXE, ThinManager Ready	PXE
Expansion Slot	1 x PCIe x16	1 x PCIe x16
I/O Communication		
USB Port	4 x USB 2.0, 2 x USB 3.0	2 x USB 2.0, 4 x USB 3.0
Serial Port	2 x RS-232/422/485	2 x RS-232/422/485
IEEE 1394	N/A	N/A
LAN	Dual Gigabit LAN	Dual Gigabit LAN
Parallel	N/A	N/A
GPIO	N/A	N/A
Smart Battery		
External Smart Battery	N/A	N/A
OS Support		
OS Support	WinXP Pro, Win7, Win10	Win10
Power/Thermal Specs		
Power Requirement (Max)	24VDC / 3.00A	24VDC / 3.20A
Power Consumption (Max)	72 W	77W
Recommended Power Supply	120W	120W
Heat Dissipation	250 BTU/hr	262 BTU/hr
Physical Information		
Mounting	Panel Mount	Panel Mount
Net Weight	28 Lbs / 12.7 Kg	28 Lbs / 12.7 Kg
Physical Dimension (WxHxD)	20.98 x 12.99 x 5.78 inch 533.0 x 330.0 x 146.7 mm	20.98 x 12.99 x 5.78 inch 533.0 x 330.0 x 146.7 mm
Recommended Cutout Dimension (WxH)	19.92 x 12.35 inch 506.0 x 313.7 mm	19.92 x 12.35 inch 506.0 x 313.7 mm
IP/NEMA Rating	Bezel UL Rated Type 4X	Bezel UL Rated Type 4X
Certification	UL 61010, UL Class I Division II	UL 61010
Environmental		
Operating Temperature	0~50°C (32~122°F)	0~50°C (32~122°F)
Storage Temperature	-20~60°C (-4~140°F)	-20~60°C (-4~140°F)
Relative Humidity	0~95%	0~95%

Dimension Drawing

ARP-2221AP-G01
 ARP-2221AP-H01
 Size Unit: inch(mm)



Ordering Information

Item	ARP-2221AP-G01-002-C1D2	ARP-2221AP-G01-006-C1D2
LCD Display	Standard	Standard
Touch Screen	5-Wire	5-Wire
Bezel	Black Powder Coated	Stainless Steel
CPU	i7 Mobile	i7 Mobile
Memory	8GB DDR3	8GB DDR3
Storage	NA	NA
ThinManager Ready	YES	YES
Power Supply	24VDC Input	24VDC Input
C1D2 Approval	YES	YES

Item	ARP-2221AP-G01-090-C1D2	ARP-2221AP-G01-094-C1D2
LCD Display	Standard	Standard
Touch Screen	5-Wire	5-Wire
Bezel	Black Powder Coated	Stainless Steel
CPU	i7 Mobile	i7 Mobile
Memory	16GB DDR3	16GB DDR3
Storage	2.5" SATA SSD	2.5" SATA SSD
ThinManager Ready	NA	NA
Power Supply	24VDC Input	24VDC Input
C1D2 Approval	YES	YES

Item	ARP-2221AP-G01-031	ARP-2221AP-G01-035
LCD Display	Standard	Standard
Touch Screen	5-Wire	5-Wire
Bezel	Black Powder Coated	Stainless Steel
CPU	i7-3612QM	i7-3612QM
Memory	16GB DDR3	16GB DDR3
Storage	2.5" SATA SSD	2.5" SATA SSD
ThinManager Ready	NA	NA
Power Supply	110/220VAC Input DIN-Rail	110/220VAC Input DIN-Rail
C1D2 Approval	N/A	N/A

Item	ARP-2221AP-H01-031	ARP-2221AP-H01-035
LCD Display	Standard	Standard
Touch Screen	5-Wire	5-Wire
Bezel	Black Powder Coated	Stainless Steel
CPU	i7-6700T	i7-6700T
Memory	32GB DDR4	32GB DDR4
Storage	2.5" SATA SSD	2.5" SATA SSD
ThinManager Ready	NA	NA
Power Supply	110/220VAC Input DIN-Rail	110/220VAC Input DIN-Rail
C1D2 Approval	N/A	N/A